

D2IVT controller for 9kW compact air/water heat pump (IVT Ecoline AX-09)



Use Possibilities

D2IVT controller is primarily designed for communication (control and supervision) with a compact air/water heat pump IVT Ecoline AX-09.

Functioning

The controller uses four input data:
 H / C - determines whether the heat pump will heat up or cool,
 lw1 - outside temperature sensor,
 lw2 - source temperature sensor,
 lw3 - switch on and off.
 There is also an output (Qx2) provided for the circulation pump.

Using the button on the controller you can set the desired source temperature. The controller adjusts the heat pump performance so that the set temperature is maintained. The circulation pump is switched on simultaneously with the heat pump and operates a few minutes longer (safety due to the gas cooling in the plate heat exchanger). Also, the circulation pump is switched on intermittently in case of negative outdoor temperatures (frost protection of the plate heat exchanger).

User Interface Overview

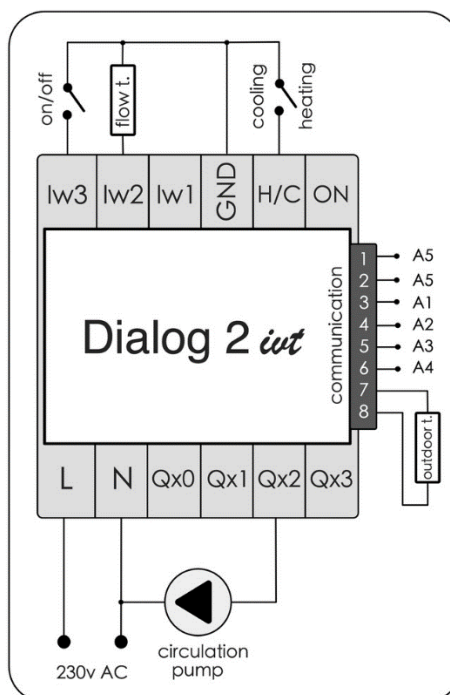
Communicator displays its operation using a three-color (red/blue/purple) LED lights. The signaling is carried out according to the lighthouse principle and in a package with three flashes.
 Red flash means that the heat pump heats, blue flash means cooling and purple means standby.
 Short flashes read as 0 and long flashes read as 1, the functioning information of the heat pump is as follows:

0 0 0 -> heat pump capacity is 0 (always purple)
 0 0 1 -> heat pump capacity is 1 (red or blue)
 0 1 0 -> heat pump capacity is 2 (red or blue)
 0 1 1 -> heat pump capacity is 3 (red or blue)
 ...
 1 1 1 -> heat pump capacity is 7 (red or blue).

Technical Information

Supply voltage	230VAC, 50Hz
Own consumption	1 VA
Working temperature	0°C to 50°C
Storage temperature	-20°C to 70°C
Dimensions of the housing (WxHxD)	36 x 108 x 58mm
Housing material	Lamex, ABS
Weight	150 g
Controller inputs	3 x analog + 2 x digital
Temperature sensors	NTK
Controller outputs	5 x digital
Maximum load	1 x relay (250VAC, 1.5 A) 4 x NPN (30VDC, 20mA)
Communication cable to IVT AX-09	
Max. cable length	20m (UTP, FTP)
Connector	RJ45

Connection Schema



Ordering Information

Type:

- Controller **D2IVT** (basic version including two temperature sensors)
- Communication cable **KK 5m, 10m, 15m or 20m** (including connector)

Ordering example: D2IVT 1 pc
KK 10m 1 pc

PROF.EL d.o.o.

professional electronics
intelligent home
automation
regulation

Metina ulica 1, 2000 Maribor
Tel.,Fax.: +386 (2) 461 30 30
E-mail: info@profel.si
Web: www.profel.si